

Download from [www.minelab.com](http://www.minelab.com)  
 Refer to the full-length Instruction Manual for detailed information.

## Getting Started Guide

# 600 | 800

# EQUINOX



4901-0248-4-EN

Illustration purposes only; product configuration and specifications may vary from those shown. Please refer to the product manual for detailed operation guidance. The Bluetooth™ word mark and logos are registered trademarks owned by Bluetooth SIG, Inc. and any use of such marks by Minelab is under license. Qualcomm™ aptX™ is a product of Qualcomm Technologies International, Ltd.

Minelab™, EQUINOX™, Wi-Stream™, Multi-IO™, 5F<sub>A</sub>B™ and 3F<sub>A</sub>B™ are trademarks of Minelab Electronics Pty. Ltd. Images and graphics are for illustration purposes only.

Minelab Electronics Pty. Ltd.  
 PO Box 55, Salisbury South  
 South Australia 5106

Minelab Electronics  
 PO Box 55, Salisbury South  
 South Australia 5106

Low Latency aptX™

North, South & Central America  
 +1 630 401 8150  
 minelab@minelab.com

Middle East & Africa  
 +971 4 254 9995  
 minelab@minelab.ae

Europe & Russia  
 +353 21 423 2352  
 minelab@minelab.ie

Australia & Asia Pacific  
 +61 8 8238 0888  
 minelab@minelab.com.au

Frequency	Power
Detector 5 to 40kHz	< 20 dBm
Bluetooth 2.4 to 2.483 GHz	-5 dBm
WiStream 2.4 to 2.483 GHz	-0.5 dBm

**RADIO FREQUENCY SPECIFICATION**  
[www.minelab.com/compliance](http://www.minelab.com/compliance)

The full text of the EU declaration of conformity is available at the following internet address:  
[www.minelab.com/compliance](http://www.minelab.com/compliance)

Equipment type EQUINOX 600/800 is in compliance with Directive 2014/53/EU.

Hereby, Minelab Electronics Pty Ltd declares that the radio equipment complies with the EMC Directive.

**EU DECLARATION OF CONFORMITY**

Information to the User (User FCC Part 15.105)

**COMPLIANCE**  
 THIS DEVICE COMPLIES WITH PART 15 OF THE FCC RULES. Operation is subject to the following two conditions: (1) this device may not cause harmful interference, and (2) this device must accept any interference received, including interference that may cause undesired operation.

NOTE: Class B Devices  
 This equipment has been tested and found to comply with the limits for Class B digital device, pursuant to part 15 of the FCC Rules. These limits are designed to provide reasonable protection against harmful interference in a residential installation.

This equipment generates, uses and can radiate radio frequency energy and, if not installed and used in accordance with the instructions, may cause harmful interference to radio communications. However, there is no guarantee that interference will not occur in a particular installation. If this equipment does cause harmful interference to radio or television reception, the user is encouraged to try to correct the interference by one or more of the following measures:

**WARRANTY TERMS**  
 Please refer to [www.minelab.com/warranty-conditions](http://www.minelab.com/warranty-conditions) for full warranty terms and conditions. Register your product warranty online at [register.minelab.com](http://register.minelab.com)

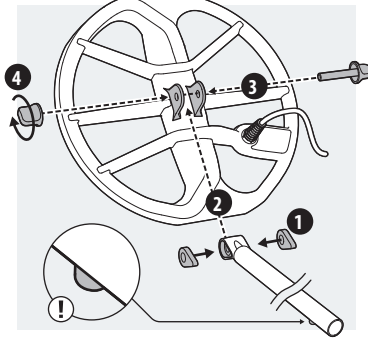
**For complete product specification and operational guidance, read the full-length Instruction Manual at [www.minelab.com](http://www.minelab.com).**

Specifications	EQUINOX 600	EQUINOX 800
Detect Modes	6 x custom search profiles	8 x custom search profiles
Operating Frequencies (kHz)	5, 10, 15, Multi	5, 10, 15, 20, 40, Multi
Standard Headphones	3.5 mm (1/8") (32 ohms)	3.5 mm (1/8") / Bluetooth® / aptX™ Low Latency
WM 08 Compatible	Yes, WM 08 not included	Yes, WM 08 included
Waterproof	Waterproof to 3 m (10-feet)	Waterproof to 3 m (10-feet)
Battery Life (approx.)	12 hours, Full recharge time ≈ 4 hours	12 hours, Full recharge time ≈ 4 hours
Standard Coil	EQX 11 Double-D smart coil	EQX 11 Double-D smart coil

## Assembly | Follow the steps to put together your EQUINOX Series detector

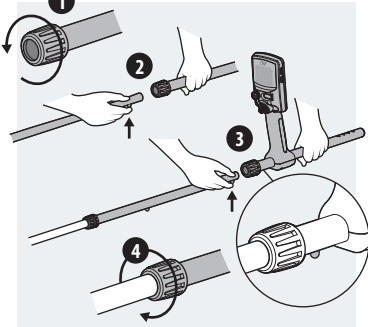
### 1. Attach coil to lower shaft

1. Insert the two rubber washers into the holes on either side of the yoke.
2. Slide the yoke into the yoke bracket on top of the coil.
3. Ensure that the spring loaded pin in the lower shaft is underneath.
3. Insert the plastic bolt through the yoke and the yoke bracket.
4. Fasten with the plastic bolt - Do not overtighten.



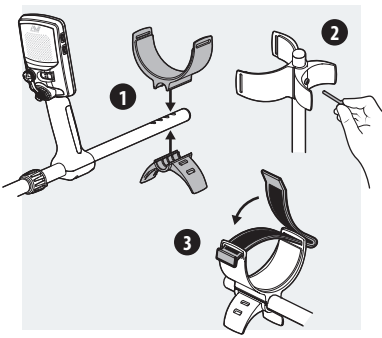
### 2. Assemble shafts

1. Loosen the twistlocks by rotating them counter-clockwise.
2. Press the spring loaded pin in the lower shaft and slide it into the middle shaft until the pin reaches the adjustment holes. The pin will click into place.
3. Attach the middle shaft to the upper shaft in the same way.
4. Lock the position of the shafts by rotating twistlocks clockwise.



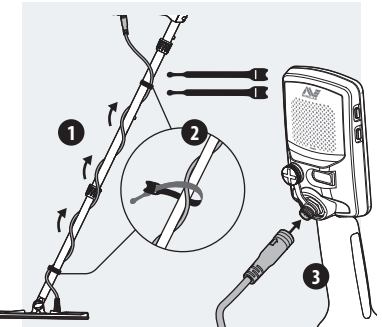
### 3. Attach armrest/stand

1. Place the armrest onto the top of the upper shaft. Position the armrest just below your elbow, then line up the central hole in the armrest with the nearest hole in the shaft.
2. Insert the screw through the stand, upper shaft and armrest. Tighten the screw carefully.
3. With the velcro side facing upwards, thread the armrest strap through both slots in the armrest. Ensure the end of the strap will be fastened outwards from your arm.



### 4. Connect coil

1. Wrap the coil cable around the lower and middle shaft enough times to take up the slack.
2. Use the velcro tabs provided to secure the coil cable against the shaft.
3. Align the coil connector and plug into the socket in the back of the control box, lightly tightening the retaining ring.



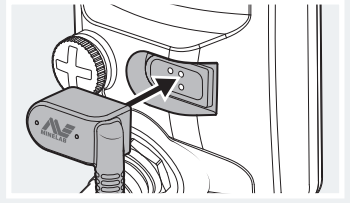
### Audio

EQUINOX Series detectors have an in-built loudspeaker for detecting without headphones. A range of other audio options are available. Please refer to the full instruction manual for further information, including wireless options.

### Charge battery

EQUINOX Series detectors have an internal Li-Ion rechargeable battery. Before first use, it is recommended that you fully charge the battery. For fastest charge time, turn the detector off during charging.

1. Connect the magnetic charging cable USB connector to any standard powered USB port.
2. Connect the magnetic charger connector to the socket on the rear of the detector user interface. The Charge Status LED at the top left of the control panel will flash steadily.
3. When charging is complete, the Charge Status LED will remain on.



# Quick Start | 4 easy steps to get started.

Before first use, it is recommended that you fully charge the battery for 4 hours.

## 1. Turn on

Press the Power button on the side of the control panel.



## 2. Select a Detect Mode

Select the optimum Detect Mode Search Profile for your detecting location. (EQUINOX 800 shown).



## 3. Noise Cancel

Select Noise Cancel from the Settings Menu, then press to initiate an Auto Noise Cancel.

This will take approximately 8 seconds to complete.



## 4. Begin detecting!

Press to return to the detect screen, and begin detecting!



## Detect Modes | Each Detect Mode has two adjustable Search Profiles with unique default settings.

Park		Field		Beach		Gold*	
Great for high-trash recreational areas, including most general detecting.		Ideal for detecting in historical fields for the widest range of target sizes.		Optimised for all salty conditions – dry sand, wet sand, surf, underwater.		Best suited for gold nugget prospecting in mineralised goldfield locations.	
General / Coins	Fine Jewellery	Coins / Artefacts	Fine Coins / Artefacts	Wet / Dry Sand	Underwater / Surf	Normal Ground	Difficult Ground

## Control Panel | Adjust and view your detector settings.

\* This asterisk appears throughout the guide, indicating features only available on the EQUINOX 800 model.

### Power

A short press of the Power button turns the detector on and off. A long press (5 seconds) restores the whole detector to factory settings.

### Backlight

Selects the backlight brightness\* or turns the backlight on and off. The backlight icon will appear when the backlight is on.

**Sensitivity Indicator**  
Indicates approximate sensitivity level (25 levels)  
Press and from the detect screen to adjust sensitivity.

### Detect Mode

Selects Detect Modes: Park, Field, Beach, and Gold\* Each Detect Mode has 2 customisable Search Profiles.

A short press of the Detect Mode button scrolls through the Detect Modes.

Press and hold for 5 seconds to restore factory preset for the active Search Profile.



### Detector Settings Menu

A short press of the Settings button accesses and scrolls through the Detector Settings menu.

A long press when in the Settings Menu accesses Advanced Settings if available.

Press and with a setting selected to adjust its value.



Setting	Advanced Setting
Noise Cancel Auto   Manual*	
Ground Balance Auto   Manual	
Volume Adjust 0 to 25	Tone Volume Ferrous   Non-ferrous*
Threshold Level 0 to 25	Threshold Pitch* 0 to 25
Target Tone 1, 2, 5, and 50	Tone Pitch Ferrous   Non-ferrous*
Accept/Reject 50 Segment resolution	Tone Break Ferrous   Non-ferrous*
Recovery Speed 1 to 3   1 to 8*	Iron Bias 0 to 3   0 to 9*

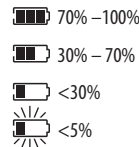
### All-Metal

Press the All-Metal button to turn the selected discrimination pattern on and off for target confirmation.



### Battery Status

LED indicates charge status during charging. You can go detecting as usual when connected to a USB power bank, just like a spare battery.



Flashing: Charging  
 Constant on: Charged

Charge the battery when the battery icon begins to flash.



### Pinpoint

Assists in locating the exact position of a target prior to recovery.

Press the Pinpoint/Detect button to enable pinpoint mode. Press again to return to the Detect Screen.



### Wireless Audio

A short press of the Wireless button turns Wireless on and off. A long press pairs wireless audio devices.

Any Bluetooth® headphones  
 aptX™ Low Latency headphones  
 WM 08 Wireless Audio Module

Up to 4 WM 08 audio modules can be paired and in use simultaneously.

1 device paired  
 3 devices paired

### Depth Indicator

Indicates the estimated depth of a detected target. (5 levels)

### Tracking

Indicates that Tracking ground balance is active.

### User Profile\*

A long press of the User Profile button saves the current detector settings.

A short press turns the saved User Profile on or off.

### Notch Discrimination

High resolution 50 segment (–9 to 40) discrimination scale for accurate, stable target identification.

When a target is detected, press the Accept/Reject button to instantly accept or reject it.

You can also create discrimination patterns via the Settings Menu.

Press or to navigate to a segment, then press the Accept/Reject button to accept or reject it.

-5

Target IDs –9 to 0 indicate ferrous targets, e.g. –5.

32

Target IDs 1 to 40 indicate non-ferrous targets, e.g. 32.

### Frequency

Displays the current operating Frequency.

Press the Frequency button any time to scroll through the available operating frequencies for the active Search Profile.

15 kHz

Displays the current selected single frequency in kHz: 5, 10, 15, 20\*, or 40\*.

Multi

Displays a rectangle when operating in Simultaneous Multi-Frequency.

This file was downloaded from the metal detecting and gold prospecting archives at <https://www.detectorprospector.com/files/>

Items are archived for historical and informational purposes. Many items are out of date and any prices in particular should be verified. Specifications for older models may have changed.

Find more catalogs, brochures, manuals, guides, and more for download at [DetectorProspector.com](https://www.DetectorProspector.com) along with some of the best metal detecting and gold prospecting [forums](#) on the internet.